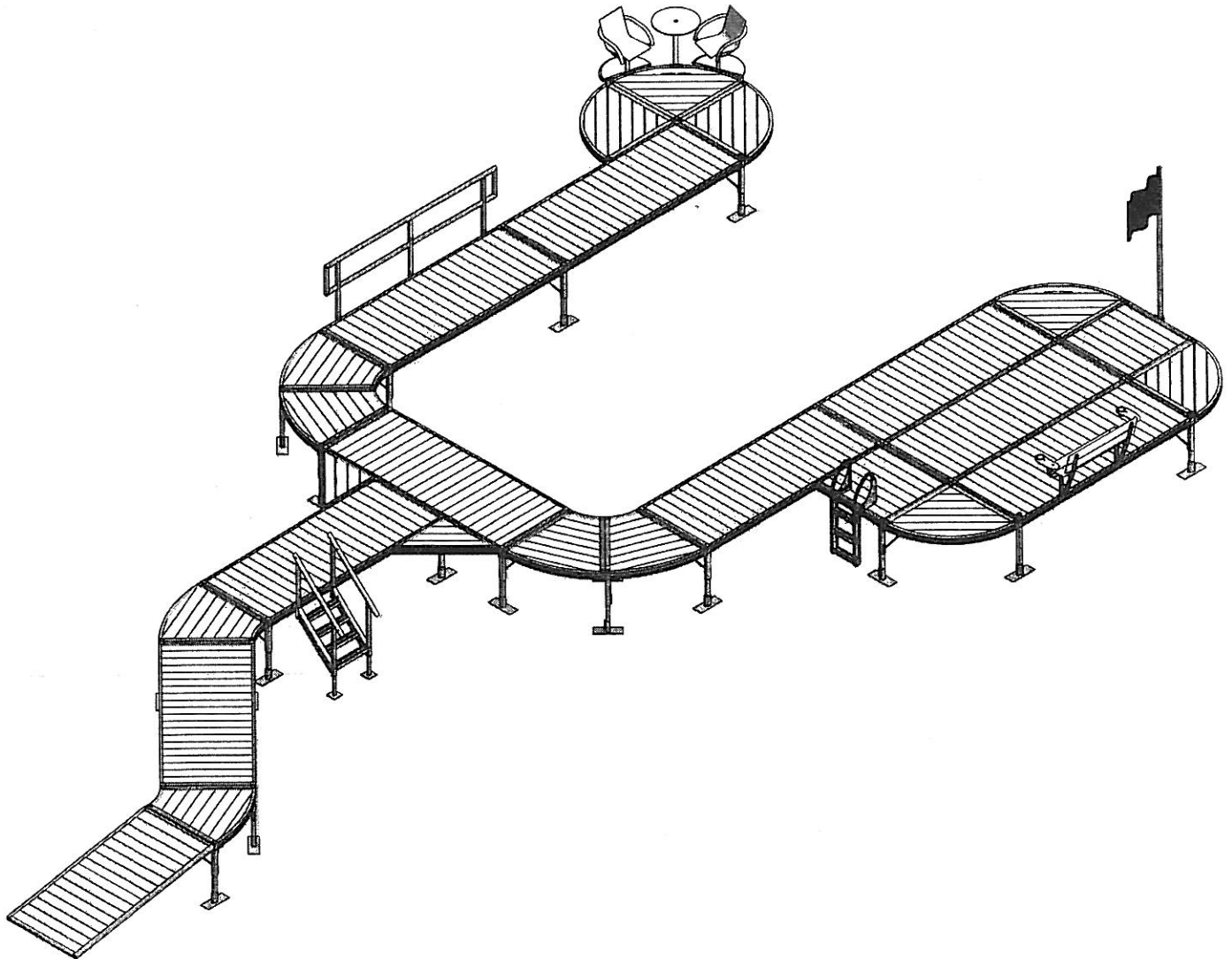


Phone: 218-739-4641
Fax: 218-739-4008
www.shoremaster.com



Universal Standing Dock (Uni-Dock):

Instructions and Safety Tips



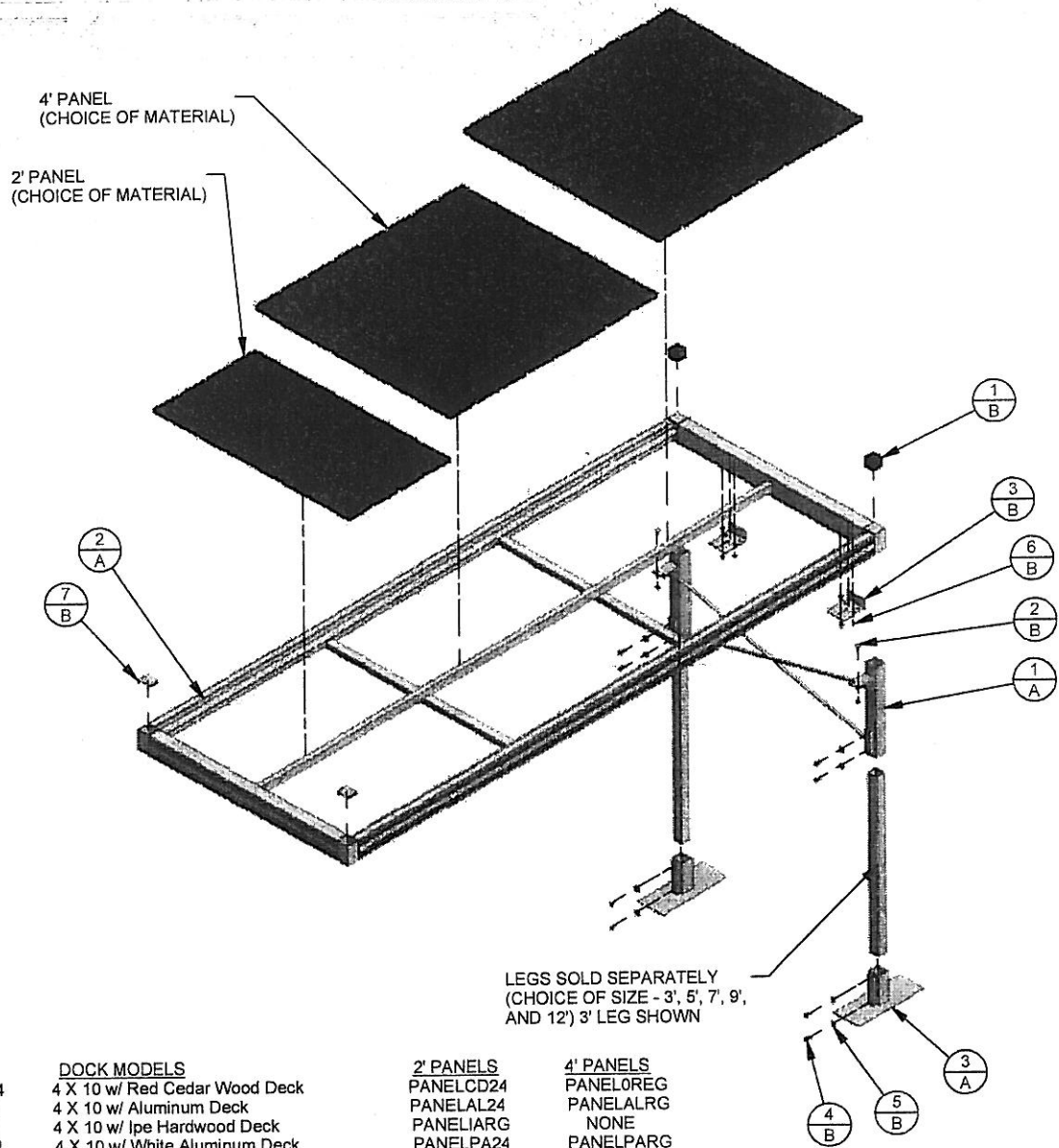
CAUTION - PUT SAFETY FIRST

1. Before attempting to install or use this dock, study and fully understand the proper operating procedures and safety precautions outlined in this owner's manual.
2. NOT COMPLYING WITH THE PROCEDURES AND PRECAUTIONS OUTLINED IN THIS MANUAL WILL INVALIDATE THE WARRANTY AND MAY RESULT IN PERSONAL INJURY OR DEATH.
3. If you have any questions about assembly, installation, use or suitability of this product, contact an authorized dealer or ShoreMaster directly at 1-800-328-8945.

TABLE OF CONTENTS

Exploded View	3-4
Accessories	5-6
Parts List	7
Layouts	8
Assembly	9-14
Cautions	15
Limited Warranty	16

UNIVERSAL DOCK 4' X 10'



Part #	DOCK MODELS	2' PANELS	4' PANELS
DMUNICD04	4 X 10 w/ Red Cedar Wood Deck	PANELCD24	PANELOREG
DMUNIAL04	4 X 10 w/ Aluminum Deck	PANELAL24	PANELALRG
DMUNIP04	4 X 10 w/ Ipe Hardwood Deck	PANELIARG	NONE
DMUNIPA04	4 X 10 w/ White Aluminum Deck	PANELPA24	PANELPARG
BDLUNIDOC	4 X 10 No Deck (complete, less all decking)		

PARTS LIST "A"

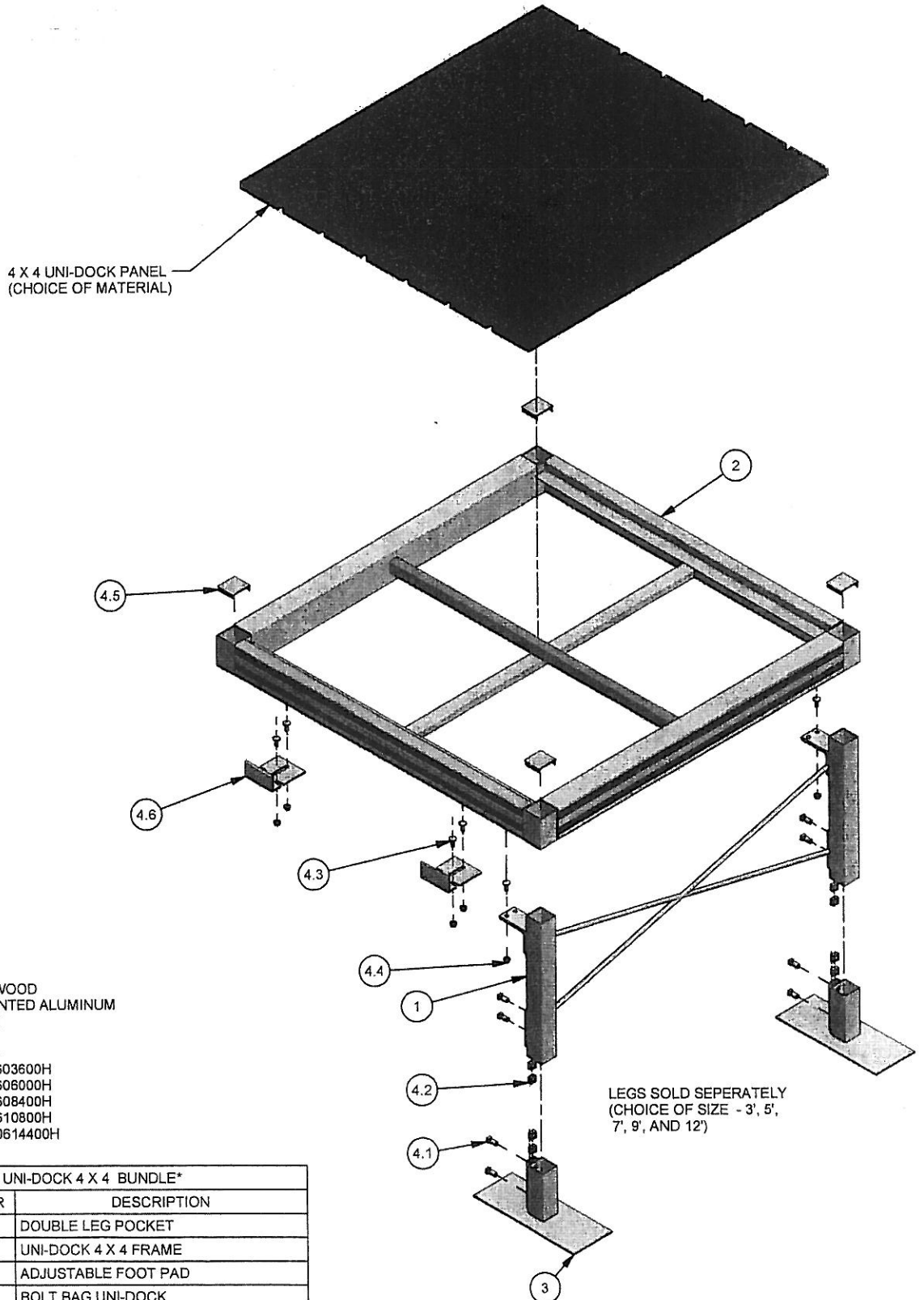
BDLUNIDOC - UNI DOCK BUNDLE			
ITEM	QTY	PART NUMBER	DESCRIPTION
1	1	APUNILBRK	DOUBLE LEG POCKET
2	1	APUNI4X10	4 X 10 UNI DOCK FRAME
3	2	APAJFTPAD	ADJUSTABLE FOOT PAD

PARTS LIST "B"

DBBUNIDOC - BOLT BAG UNI DOCK			
ITEM	QTY	PART NUMBER	DESCRIPTION
1	2	BLUECAP14	BLUE CAP 2 X 2
2	6	CS380100B	CARRIAGE BOLT 3/8 X 1
3	2	86400400D	CONNECTOR ANGLE
4	8	S120SETSW	SET SCREW 1/2 X 1.25
5	8	B120SQNUT	SQUARE NUT 1/2 BRASS
6	6	B380FLNUT	FLANGE NUT 3/8 BRASS
7	4	06300225H	LEG CAP

UNI-DOCK LEG POSTS	PART #
3' DOCK LEG POST (each)	20603600H
5' DOCK LEG POST (each)	20606000H
7' DOCK LEG POST (each)	20608400H
9' DOCK LEG POST (each)	20610800H
12' DOCK LEG POST (each)	20614400H

4 X 4 UNI-DOCK

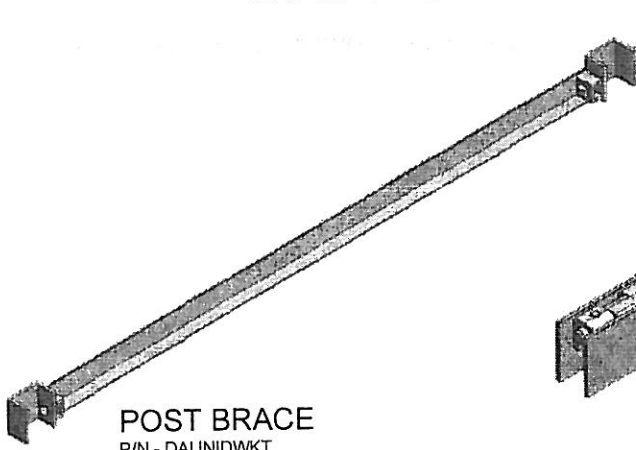


- 420005940 - PANEL CEDAR
- 420005950 - PANEL IPE HARDWOOD
- 420005960 - PANEL WHITE PAINTED ALUMINUM
- 420005970 - PANEL ALUMINUM

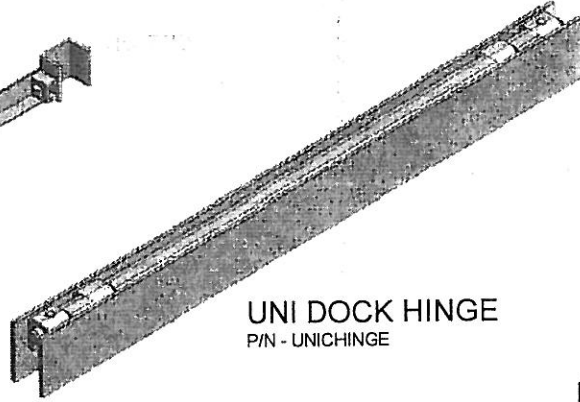
- UNI-DOCK LEG POSTS PART #
- 3' DOCK LEG POST (each) - 20603600H
 - 5' DOCK LEG POST (each) - 20606000H
 - 7' DOCK LEG POST (each) - 20608400H
 - 9' DOCK LEG POST (each) - 20610800H
 - 12' DOCK LEG POST (each) - 20614400H

420005900 - UNI-DOCK 4 X 4 BUNDLE			
ITEM	QTY	PART NUMBER	DESCRIPTION
1	1	DAAJDLPKT	DOUBLE LEG POCKET
2	1	220005910	UNI-DOCK 4 X 4 FRAME
3	2	APAJFTPAD	ADJUSTABLE FOOT PAD
4	1	DBBUNIDOC	BOLT BAG UNI-DOCK
4.1	8	S120SETSW	SET SCREW 1/2 - 13 X 1.25
4.2	8	A120SQNUT	NUT SQUARE 1/2 - 13 ALUM
4.3	6	CS380100B	BOLT CARR 3/8 - 16 X 1 SS
4.4	6	B380FLNUT	3/8" FLANGE NUT BRASS
4.5	4	06300225H	ALUM MISC CAP LEG UNI DOCK
4.6	2	86400400D	CONNECTOR ANGLE UNI-DOCK
4.7	2	BLUECAP14	BLUE CAP 2 X 2 X 2

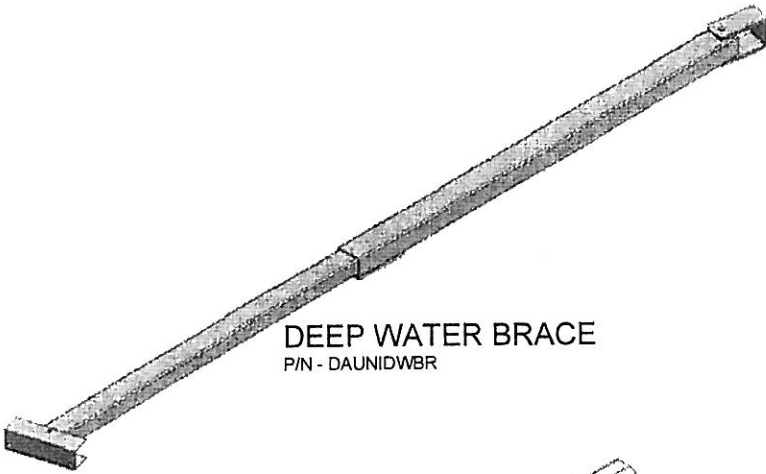
UNI-DOCK ACCESSORIES



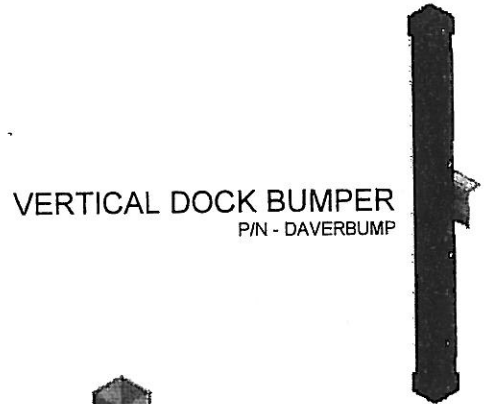
POST BRACE
P/N - DAUNIDWKT



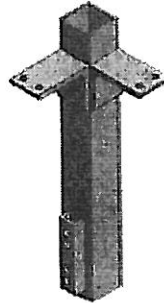
UNI DOCK HINGE
P/N - UNICHINGE



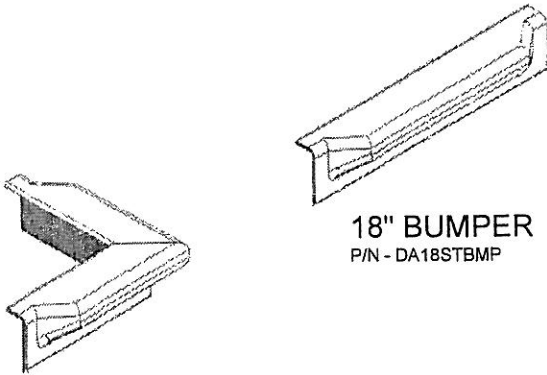
DEEP WATER BRACE
P/N - DAUNIDWBR



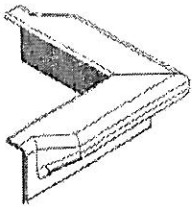
VERTICAL DOCK BUMPER
P/N - DAVERBUMP



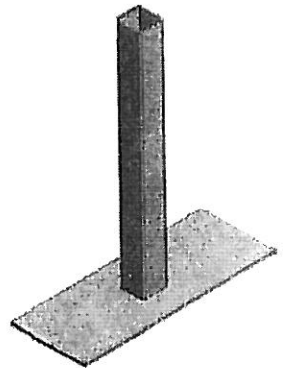
SINGLE LEG POCKET
P/N - DAAJSLPKT



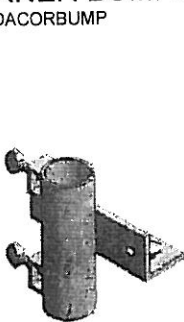
18" BUMPER
P/N - DA18STBMP



CORNER BUMPER
P/N - DACORBUMP



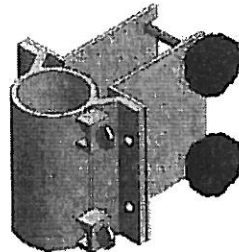
SHALLOW WATER LEG
P/N - DASW0LEGS



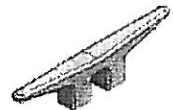
UMBRELLA HOLDER
P/N - DAUNIUMBR



LIGHT BRACKET
P/N - DAUNILITE

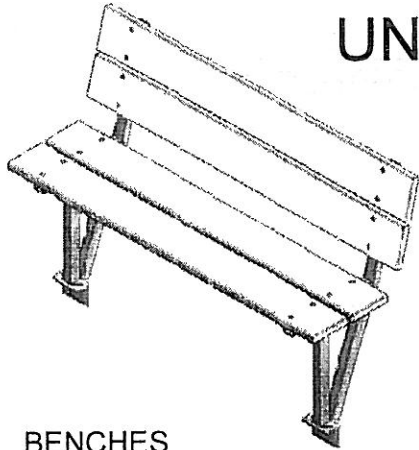


FLAG POLE HOLDER
P/N - DAUNIFLAG



8" ALUMINUM CLEAT
P/N - DA08ALCLT

UNI-DOCK ACCESSORIES



BENCHES

WHITE DECKING P/N - DAPABENCH
 CEDAR DECKING P/N - DAWDBENCH
 OFF DECK WHITE P/N - DAPABENCH
 OFF DECK CEDAR P/N - DAPABENCH



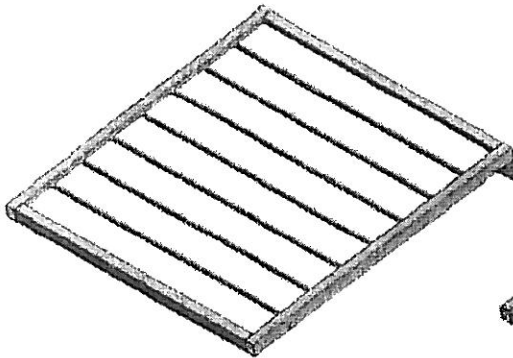
BENCH ARM REST W/CUP HOLDER

CEDAR COLOR P/N - DAPCARMRT
 WHITE COLOR P/N - DAPWARMRT



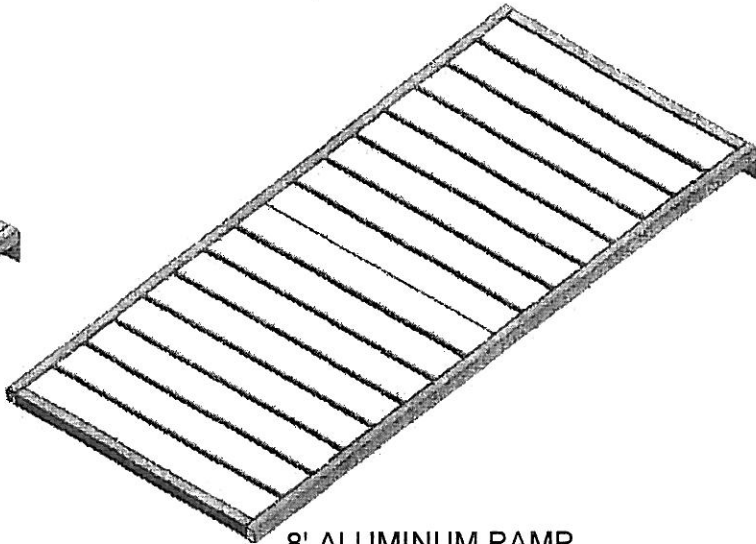
UNI DOCK CORNER

CEDAR DECK P/N - DAUNICDCR
 ALUMINUM DECK P/N - DAUNICDCR
 IPE HARD WOOD DECK P/N - DAUNICDCR
 WHITE ALUMINUM DECK P/N - DAUNICDCR



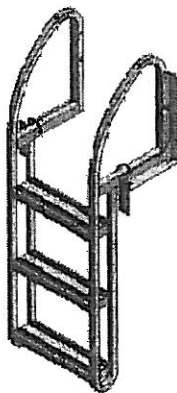
4' ALUMINUM RAMP

CEDAR DECK P/N - DAWDCRMP
 ALUMINUM DECK P/N - DAWDAARMP
 IPE HARD WOOD DECK P/N - DAWDIPRMP
 WHITE ALUMINUM DECK P/N - DAWDALRMP



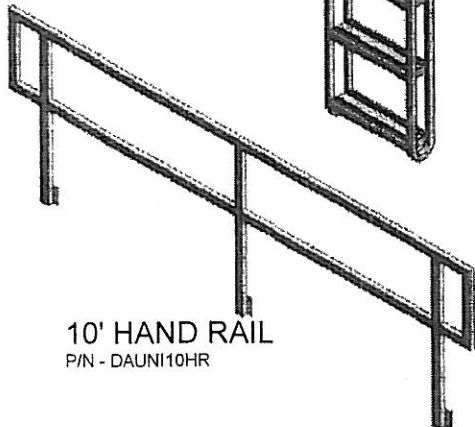
8' ALUMINUM RAMP

CEDAR DECK P/N - DAWD8CRMP
 ALUMINUM DECK P/N - DAWD8ARMP
 IPE HARD WOOD DECK P/N - DAWD8IRMP
 WHITE ALUMINUM DECK P/N - DAWD8PRMP



3,4,5 STEP PIVOTING LADDER

3 STEP P/N - DALADDER3
 4 STEP P/N - DALADDER4
 5 STEP P/N - DALADDER5

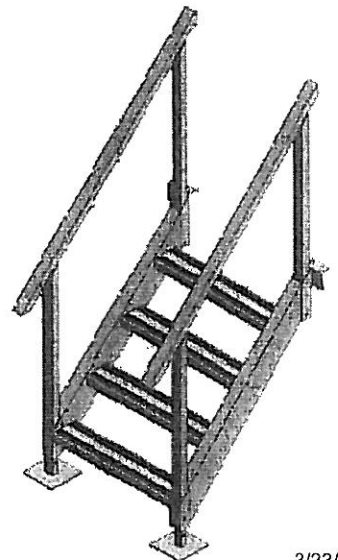


10' HAND RAIL

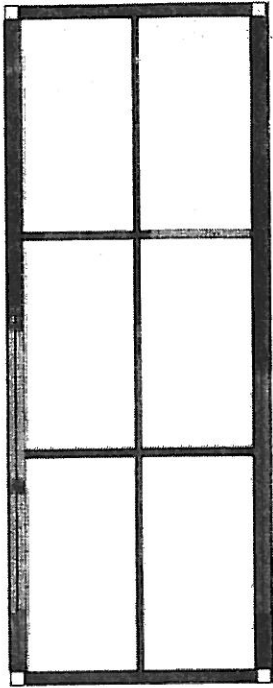
P/N - DAUNI10HR

4 OR 6 STEP DOCK STEPS

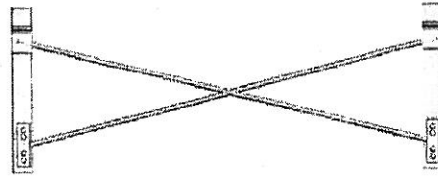
4 STEP P/N - DADKSTEPS
 6 STEP P/N - DADKSTEP6



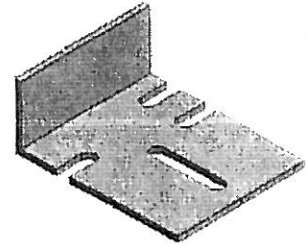
PARTS LIST



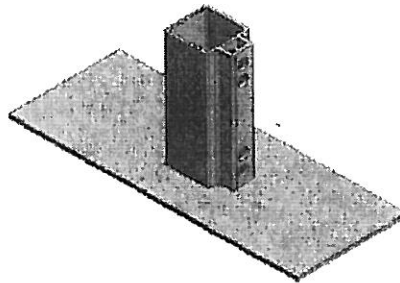
4 X 10 UNI DOCK FRAME
QTY. 1



DOUBLE LEG POCKET
QTY. 1



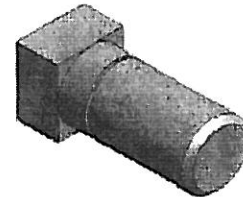
CONNECTOR ANGLE 4 X 10
QTY. 2



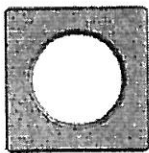
ADJUSTABLE FOOT PAD
QTY. 2



CARRIAGE BOLT 3/8 X 1
QTY. 6



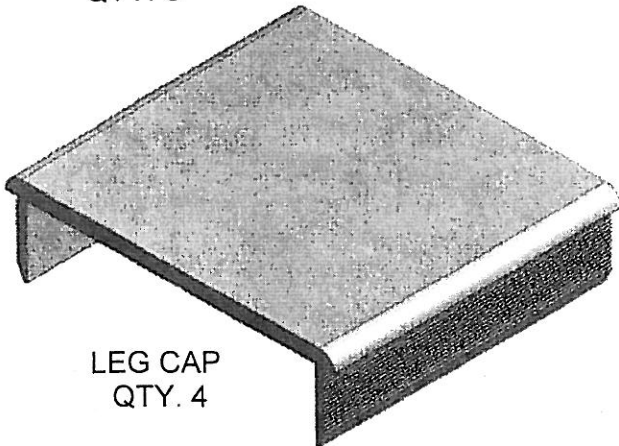
SET SCREW 1/2 X 1.25
QTY. 8



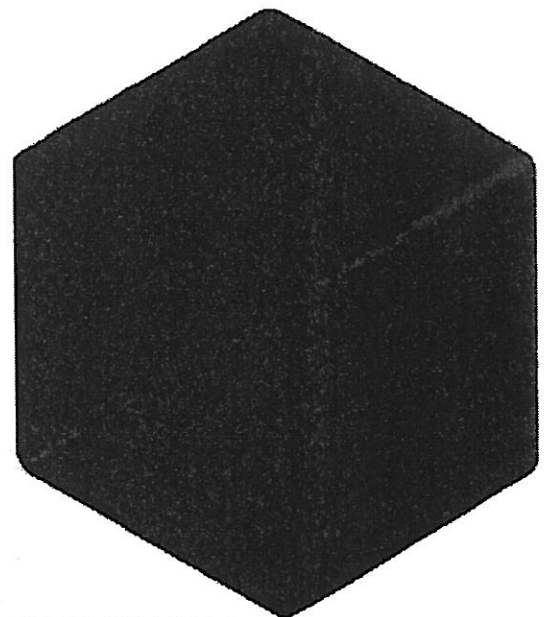
SQUARE NUT 1/2 BRASS
QTY. 8



FLANGE NUT 3/8 BRASS
QTY. 6



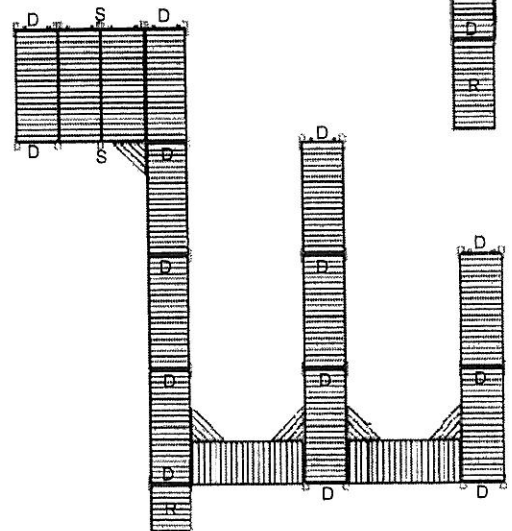
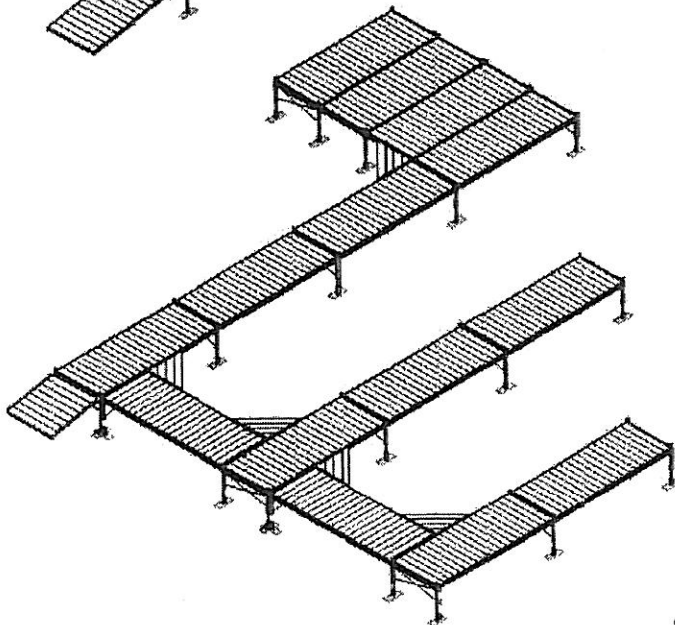
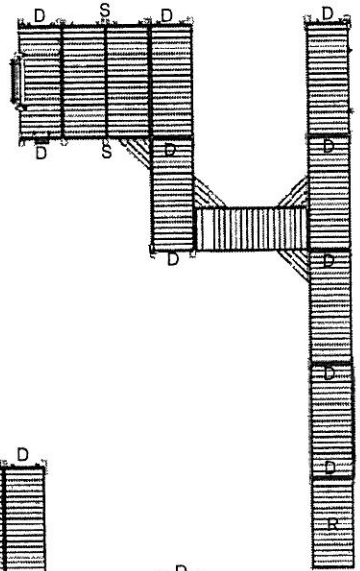
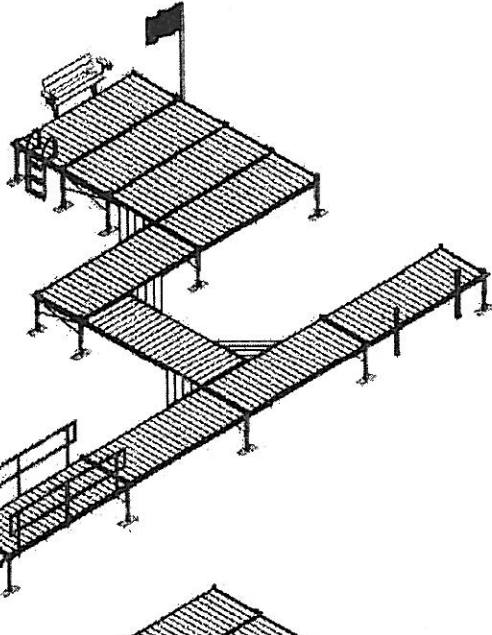
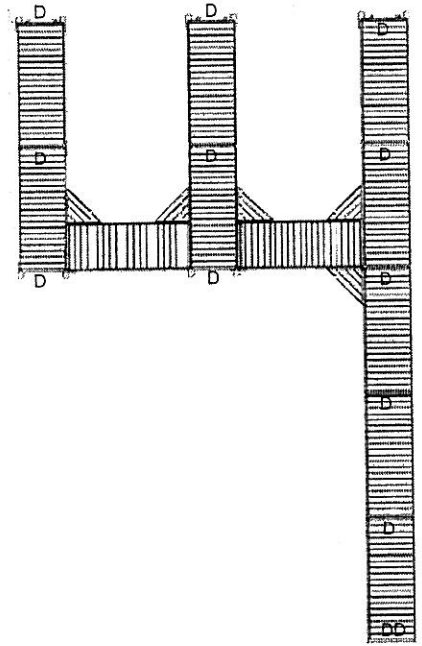
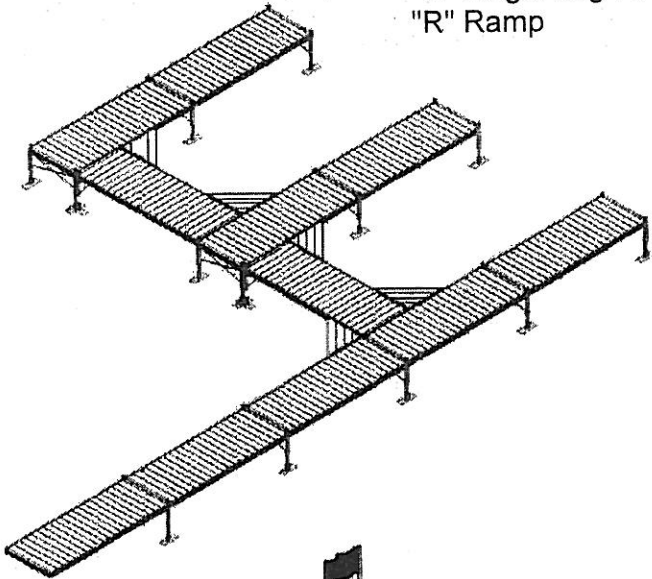
LEG CAP
QTY. 4



BLUE CAP 2 X 2
QTY. 2

UNI-DOCK LAYOUTS

"D" Double Leg Pocket
"S" Single Leg Pocket
"R" Ramp



ASSEMBLY INSTRUCTIONS

Your safety is the most important issue related to this product.

- Fully read and understand each step before proceeding with that step.
- Wear protective gloves, clothing and eyewear when assembling and installing the dock.
- Do not assemble, install or use this product if items are missing or damaged.

For ease of assembly find a flat area with plenty of room to assemble dock. The following tools will be needed for assembling lift:

1. 9/16" Wrench
2. 1/2" Wrench
3. Measuring Tape

Only hand tighten bolts and nuts until dock is completely assembled. (see Step 5)

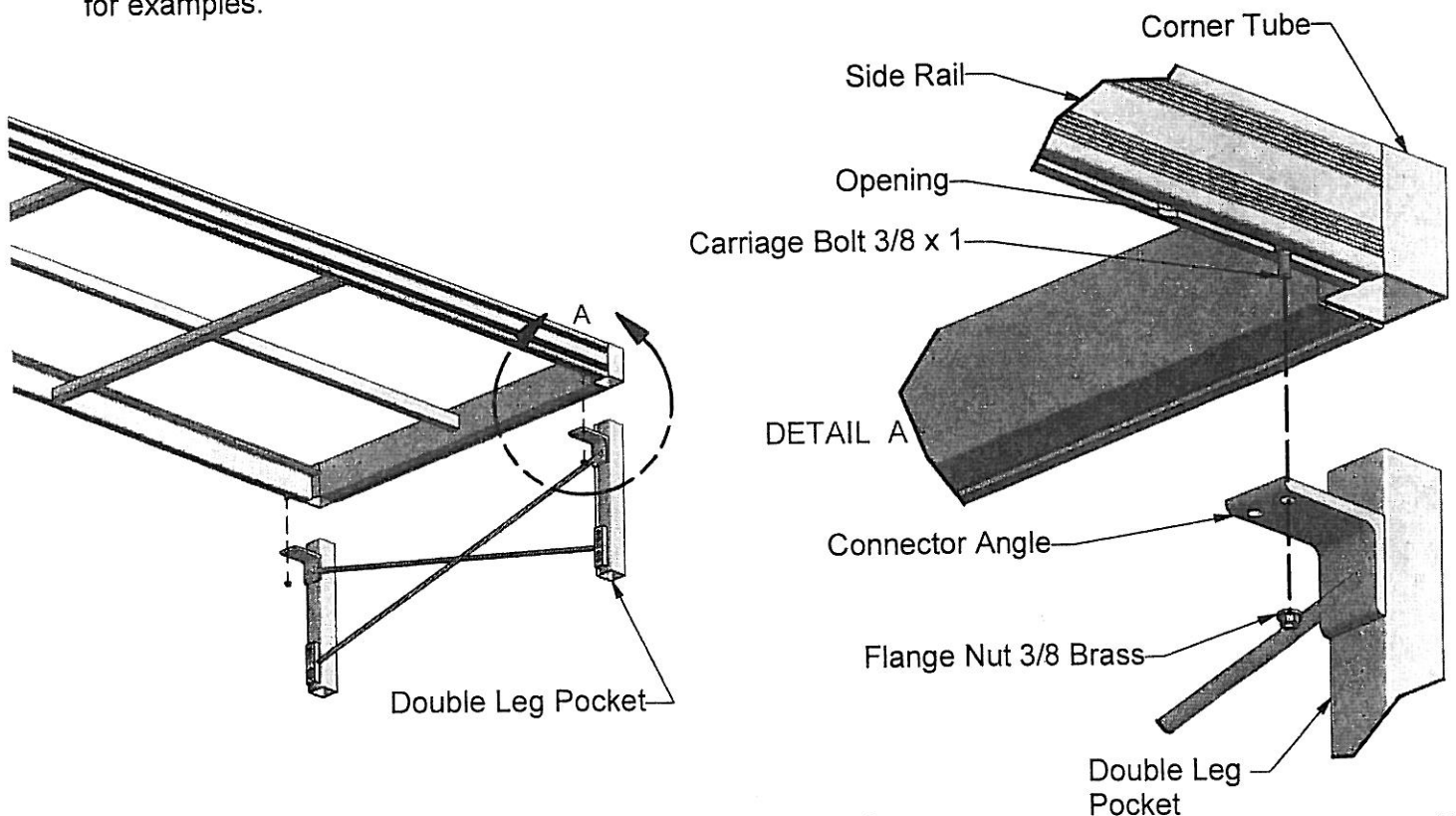
Before assembly determine the layout of the dock system. Take depth measurements at ten foot intervals starting at where the dock will start. Make sure you have adequate dock leg lengths to accommodate water fluctuation.

STEP 1

Place the 4 x 10 Uni-Dock Frame upside down. Insert one Carriage Bolt 3/8 x 1 into the opening of each 4 x 10 Uni-Dock Frame Side Rail. Insert the Double Leg Pocket into the 4 x 10 Uni-Dock Frame Corner Tubes - as shown.

Make sure that the Carriage Bolt 3/8 x 1 is inserted through the hole of the connector angle on the Double Leg Pocket. Secure each side with one Flange Nut 3/8 Brass - as shown in Detail "A."

Note: The number and location of Double Leg Pockets will depend on the specific layout. See page 7 for examples.



STEP 2

A - Insert Leg Post into Adjustable Foot Pad. Secure Leg Post with two Set Screws 1/2 x 1 and two Square Nuts 1/2 Brass per leg. Place nuts in Nut Clip and tighten with set screws - as shown in Detail "A."

Note: Leg Posts are ordered separately from dock section because of varying lengths needed.

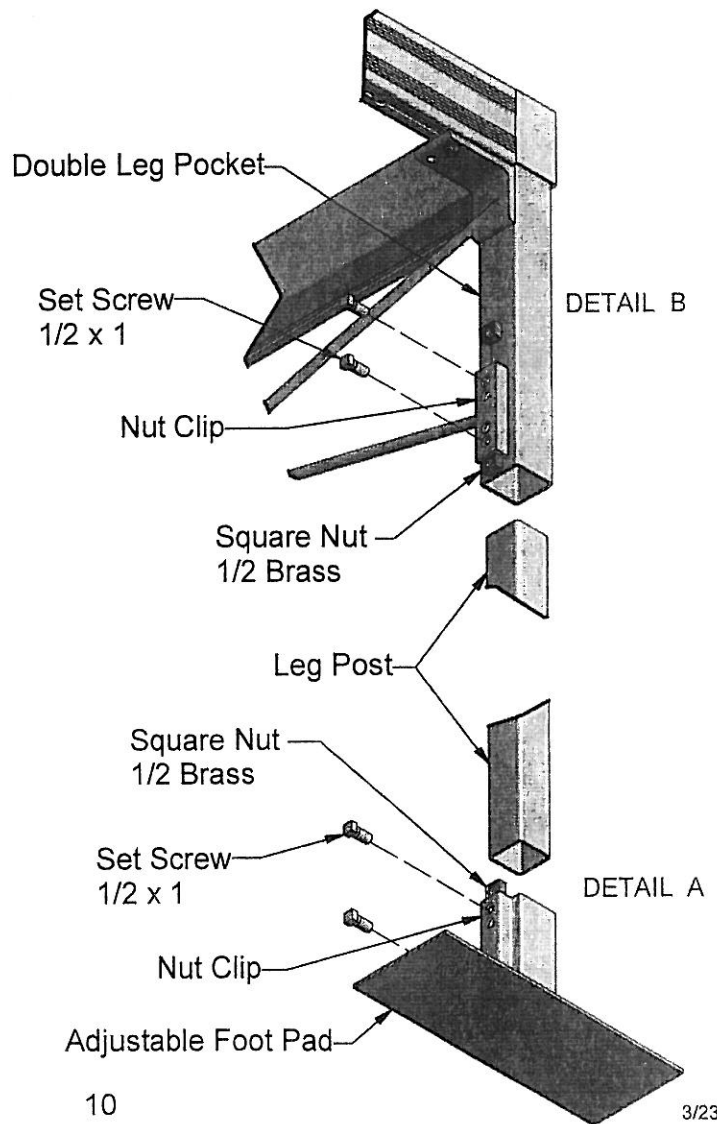
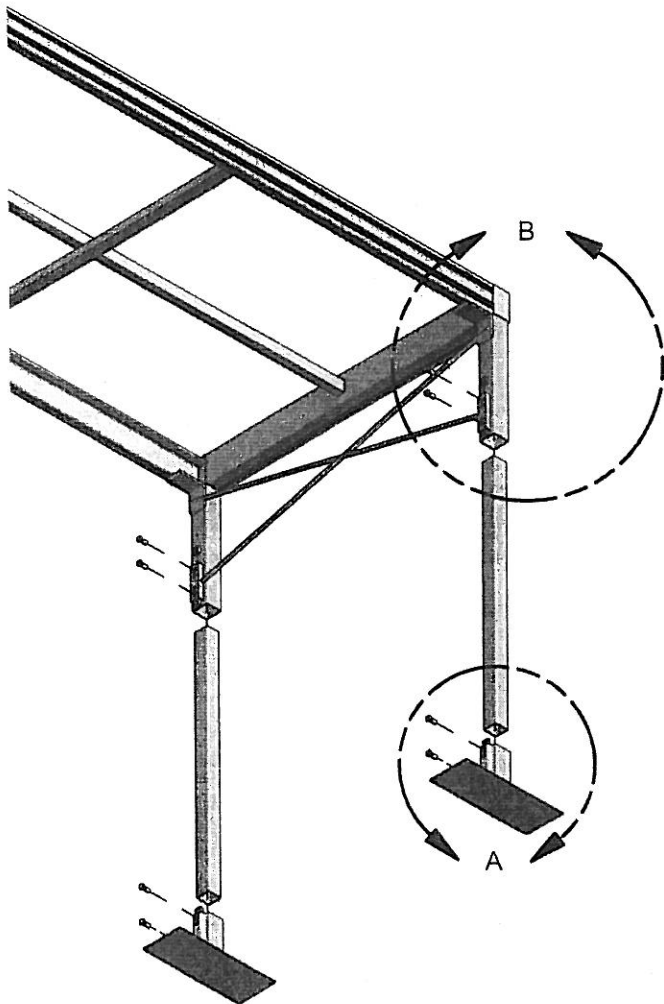
Note: Each Nut Clip has two holes to allow you to use a finger to hold the square nut in place while threading the set screw.

B - Insert Leg Posts into Double Leg Pocket. Secure with two Set Screws 1/2 x 1 and two Square Nuts 1/2 Brass at each leg. Place nuts in Nut Clip and tighten set screws to secure - as shown in Detail "B." The legs may be adjusted in a later step.

Note: Check inside Double Leg Pocket and remove any burr before inserting leg. Burr may be removed using a flat head screw driver.

CAUTION

Do not over tighten set screws. Over tightening of set screws will result in bending or breaking of parts.



STEP 3

Determine which side of the 4 x 10 Uni-Dock Frame will be connected to other sections. In these illustrations an end-to-end connection is used. Side-to-side, and end-to-side connections use the same methods.

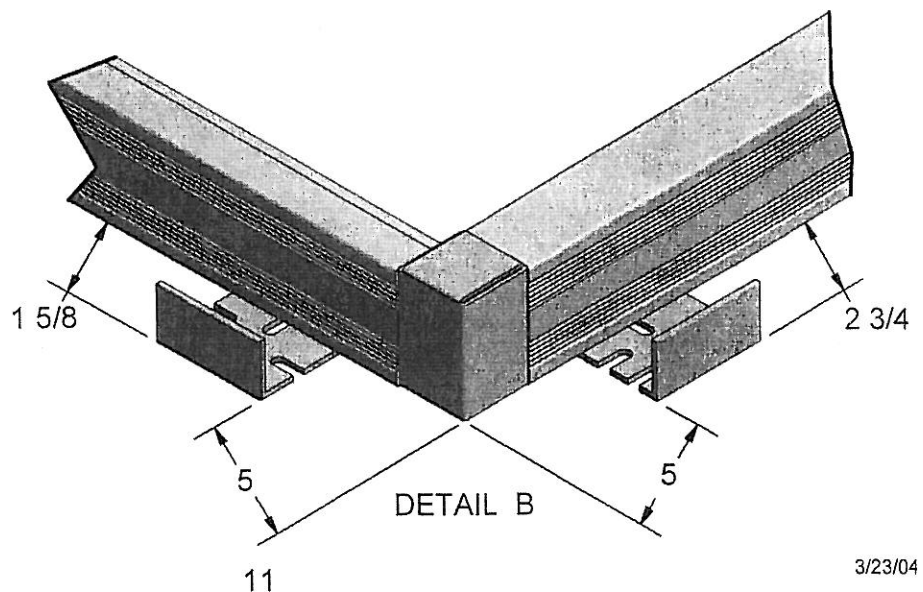
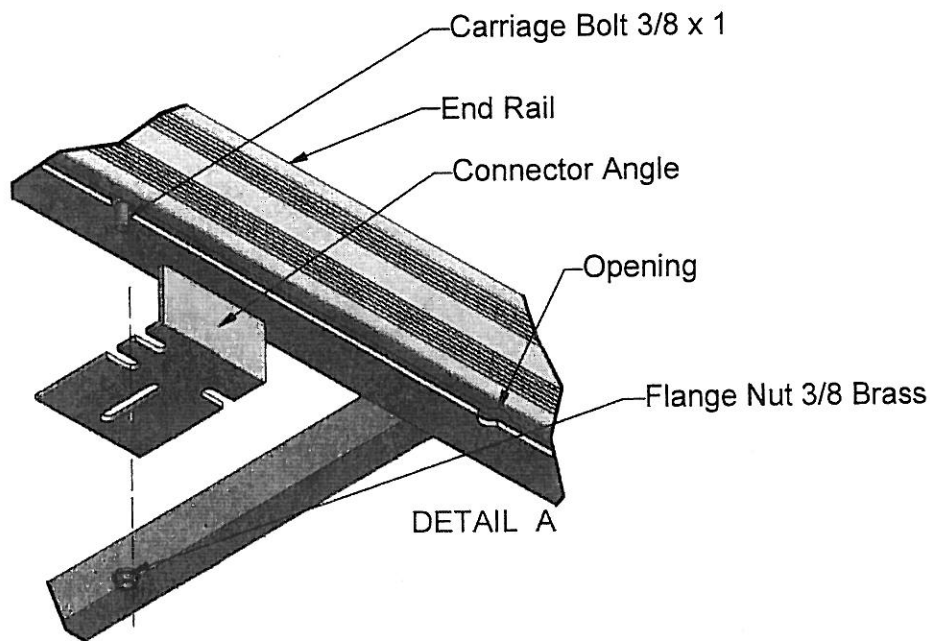
A - Attach two Connector Angles to the frame End Rail. Secure with one Carriage Bolt 3/8 x 1 and one Flange Nut 3/8 Brass. The Carriage Bolt head inserts into the opening in the bottom slot of the frame and attaches through the center slot in the Connector Angle - as shown in Detail "A."

B - Allow enough space between the Connector Angle and 4 x 10 Uni-Dock Frame for the next Frame to drop into place - 2 3/4" if attaching to an End Rail
- 1 5/8" if attaching to a Side Rail

The Connector Angles should be spaced in from the corner approximately 5" - as shown in Detail "B."

Note: Only hand tighten the nuts at this time.

Note: In a Side-to-Side connection a third Connector Angle in the middle is recommended.



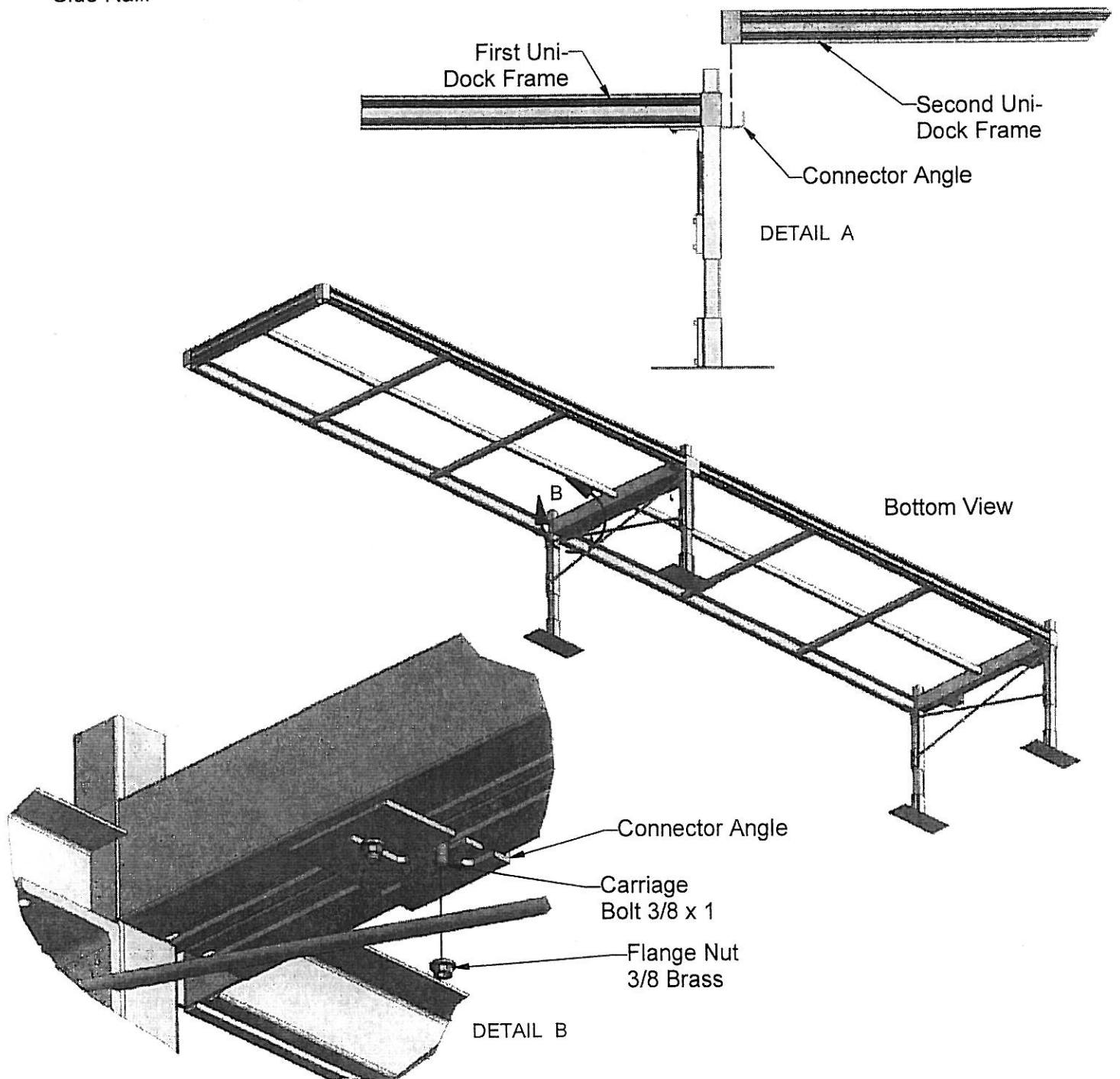
STEP 4

A - Now the first 4 x 10 Uni-Dock Frame can be carried into place. Place the second 4 x 10 Uni-Dock Frame into the Connector Angles of the first - as shown in Detail "A."

B - Insert one Carriage Bolt 3/8 x 1 into the second Uni-Dock Frame and slide it into the slot on the Connector Angle. Secure with one Flange Nut 3/8 Brass - as shown in Detail "B."

Note: Two Connector Angles are needed if connecting to an End Rail. Three are needed if connecting two Side Rails together.

Note: The Connector Angle slot used depends on whether you are connecting to an End Rail or a Side Rail.

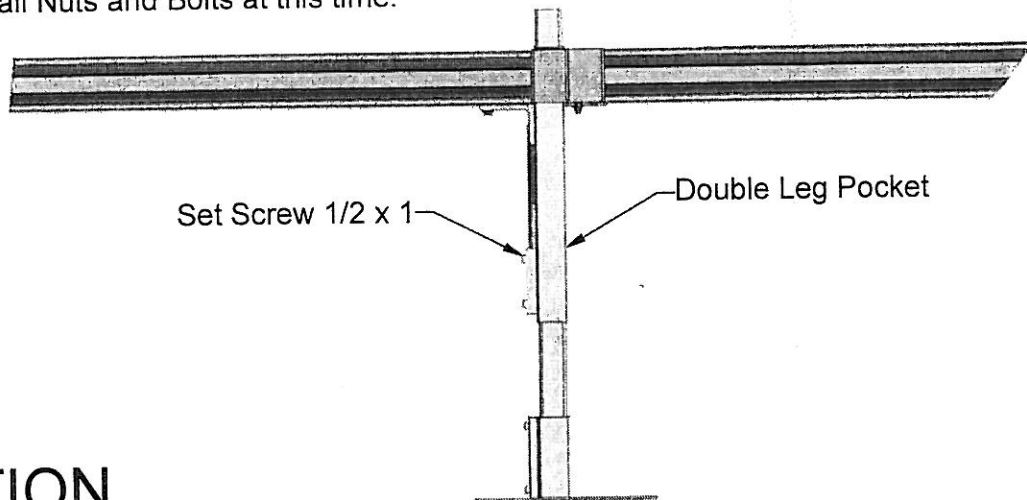


STEP 5

As each Uni-Dock Frame is put in place, use the Set Screw 1/2 x 1 on the Double Leg Pocket to adjust the level of the dock.

Note: Make sure there is enough clearance for water fluctuation and wave action.

Fully tighten all Nuts and Bolts at this time.



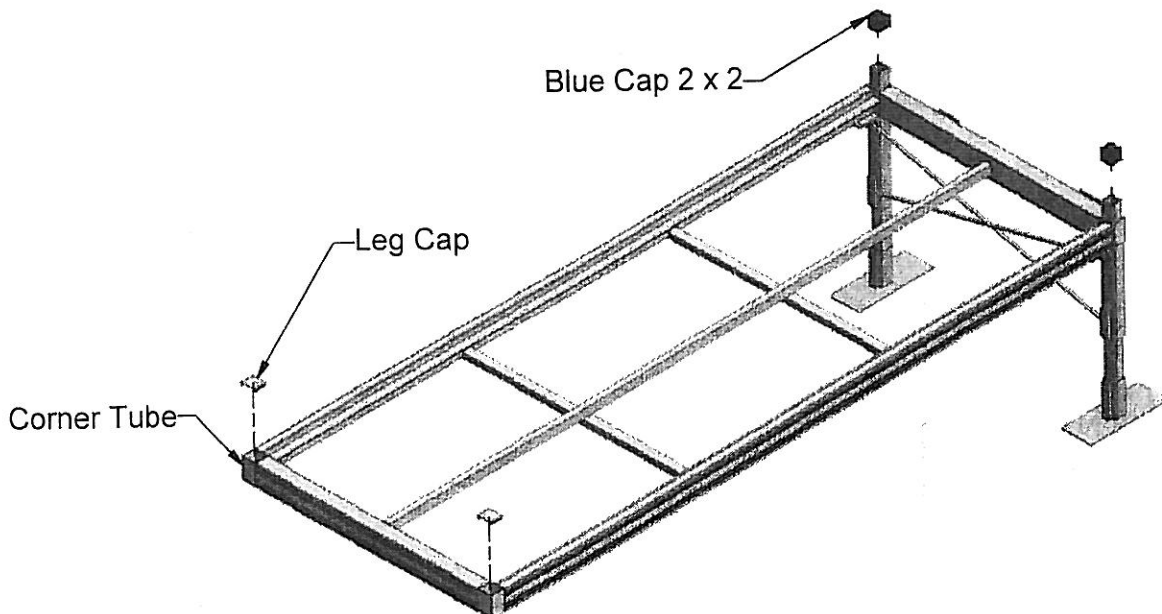
CAUTION

Do not over tighten set screws. Over tightening of set screws will result in bending or breaking of parts.

STEP 6

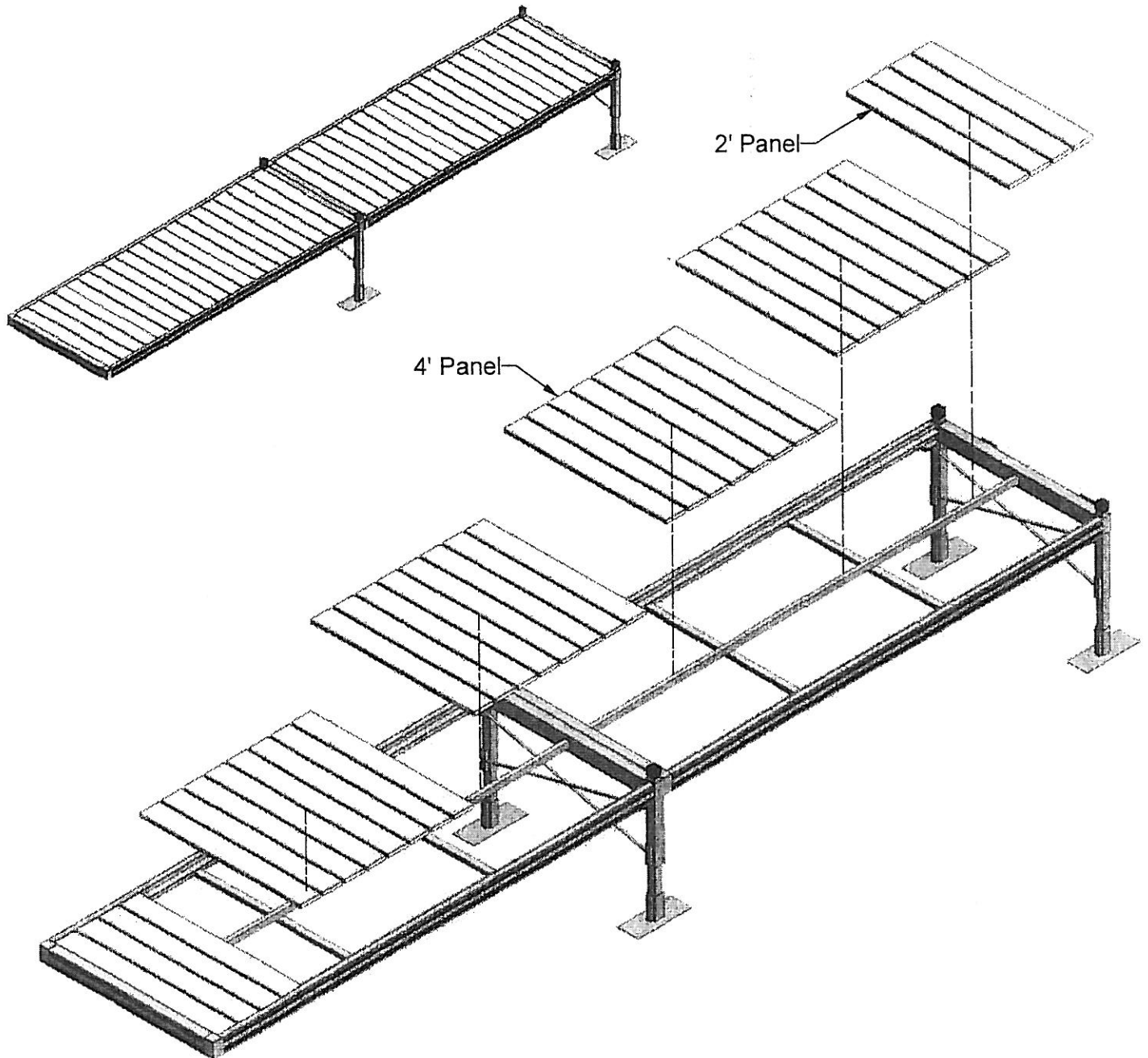
Leg Caps are included for each Corner Tube that is not used or does not have a Leg Post above the deck surface - as shown below.

The Leg Posts that are above the deck surface may be covered with a Blue Cap 2 x 2 - as shown below.



STEP 7

Place panels into Uni-Dock Frames. Each ten foot frame uses two 4' Panels and one 2' Panels, or five 2' Panels. There are several Panel materials available to chose from (see page 3). Panel attachment and care will depend on which one is used.



CAUTIONS:

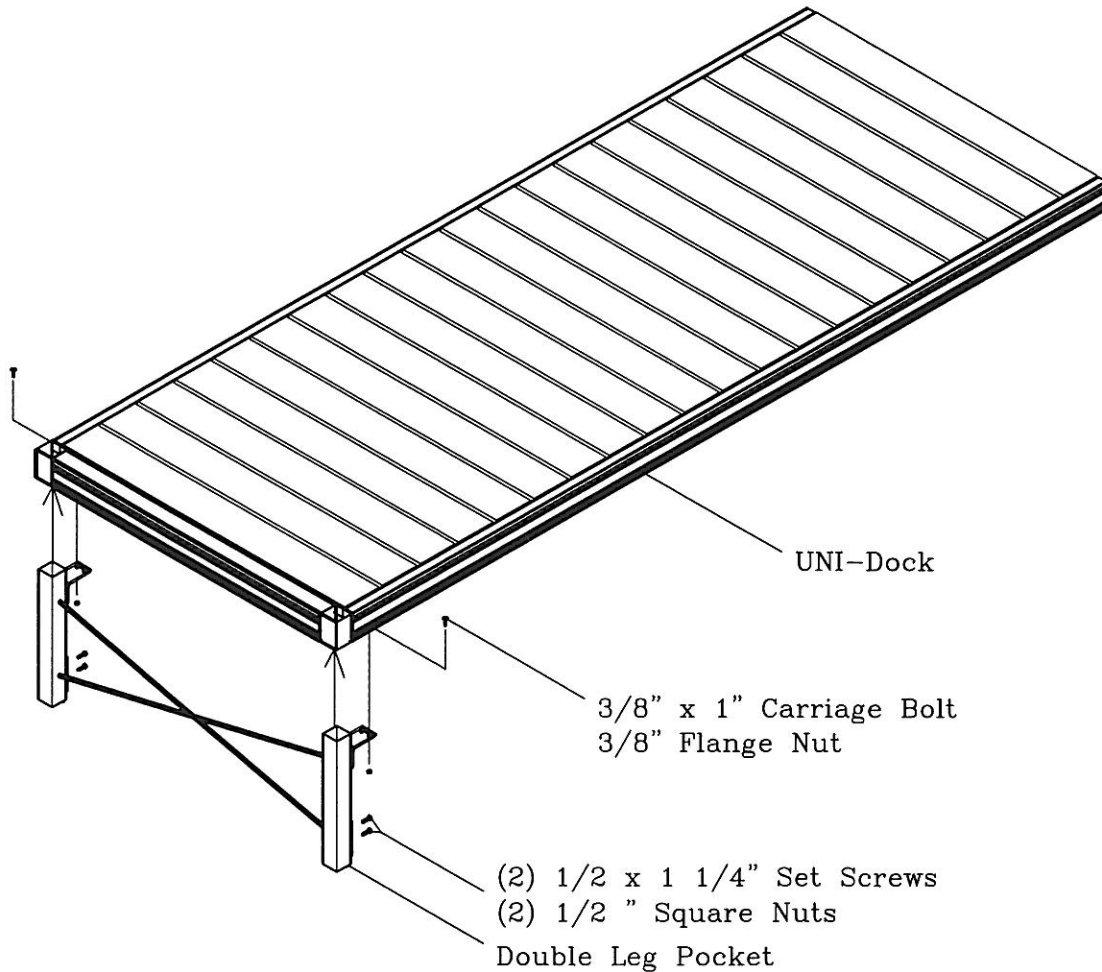
1. Be sure your dock can be installed on a firm and stable foundation. If lake bottom conditions do not allow for a secure installation, this product may not be suitable. ShoreMaster builds a wide variety of docks. Call ShoreMaster or your dealer for suggestions or other options.
2. Install high enough above water surface, so waves do not contact Uni-Dock Frames or Panels.
3. Do not drop and leave Leg Caps in the water. Someone may step on it and cut their foot. Please remove any Leg Caps or other parts from lake bottom to avoid injury.
4. Do not run on dock. Running on dock could result in a falling injury. Use caution, especially when surface is wet.
5. Do not dive off dock. Diving off dock could result in a severe head, neck, or back injury or death.

USE, REMOVAL, STORAGE AND SERVICE

1. Upon completed installation, your Universal Standing Dock is ready for use. Many ShoreMaster dock accessories are available to compliment your dock system. Contact your dealer or ShoreMaster for details.
2. The dock system must be removed from water during the winter months. Warranty is void if dock is exposed to ice conditions.
3. You may remove each Uni-Dock Frame with panels in place, or you can remove the panels before detaching the Uni-Dock Frames. Stack Panels on a flat surface, and store them in a dry area to preserve life.
4. Inspect Uni-Dock Frame, Panels, connections, Nuts, and Bolts at least once every six months for damage, wear or loose connections. Tighten or replace parts as needed.
5. ShoreMaster dealers usually offer service visits. Please contact them if you are unable or unwilling to perform service to docks.

SHOREMASTER

Double Leg Pocket

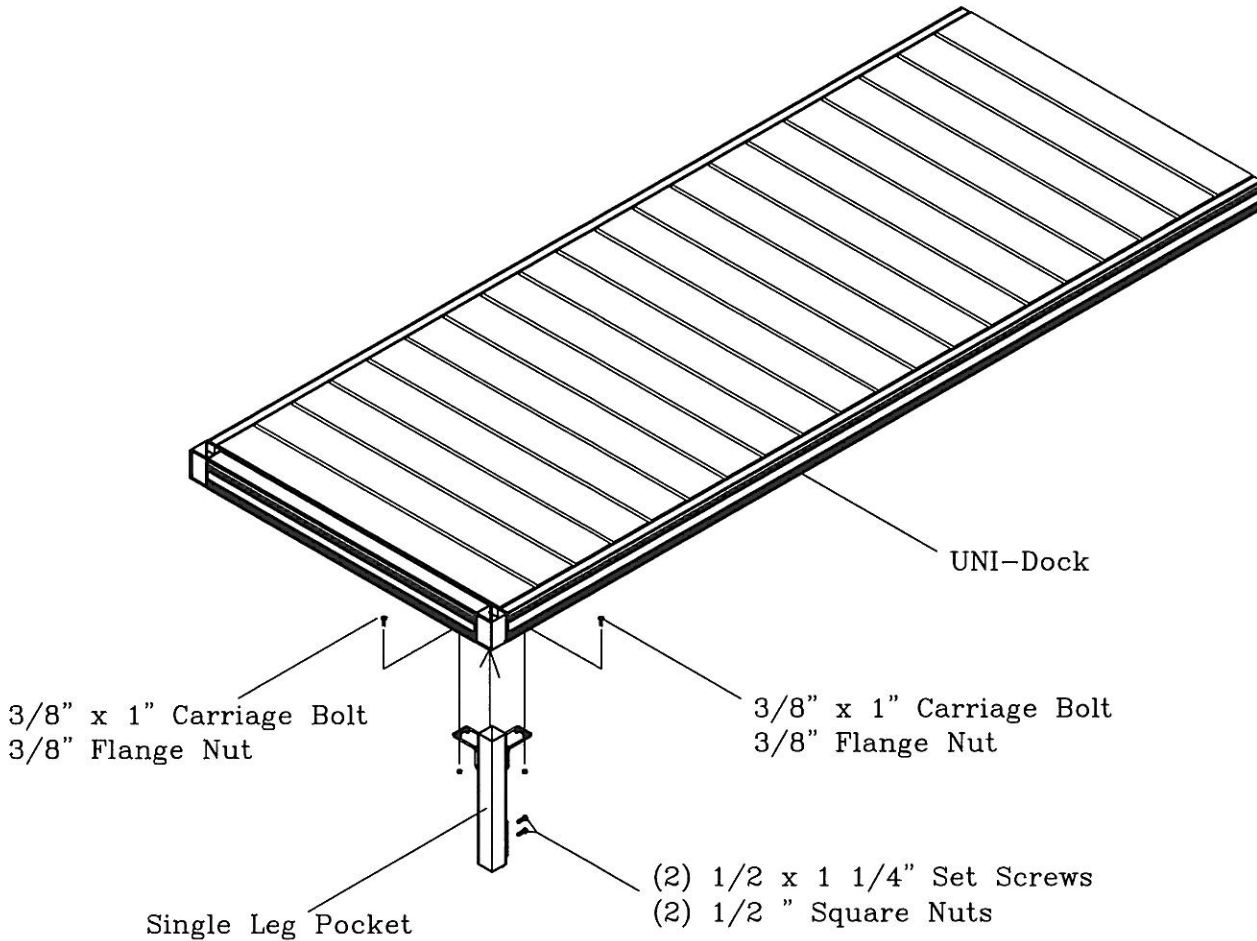


Quantity	Part Number	Description
1		6" x 9" Bolt Bag
2	CS380100B	Hardware - 3/8" x 1" Carriage Bolt
2	S380FLNUT	Hardware - 3/8" Flange Nut
4	S120SETSW	Hardware - 1/2" x 1 1/4" Set Screw
4	S120SQNUT	Hardware - 1/2" Square Nut
2	BLUECAP14	# 14 Blue Cap
1	INSTRUCTN	Instructions W/Card
1		Shipping Wrap
1	APUNILBRK	Double Leg Pocket
1	DABBDLPKT	Bolt Bag

www.shoremaster.com - email: quality1@shoremaster.com
 1 ShoreMaster Drive - Industrial Park P.O. Box 358 Fergus Falls, Minnesota 56538-0358
 Phone: (218) 739-4641 WATS:1-800-328-8945 FAX: (218) 739-4008

SHOREMASTER

Single Leg Pocket

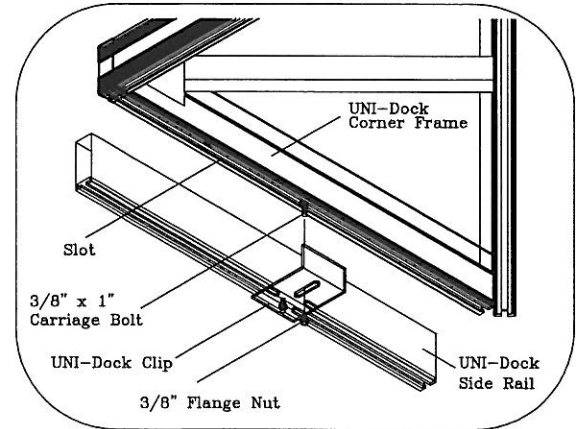
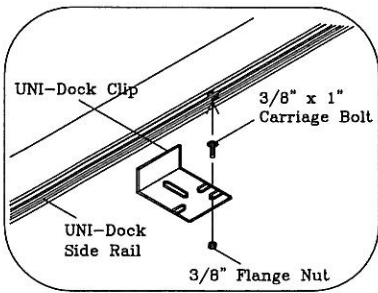
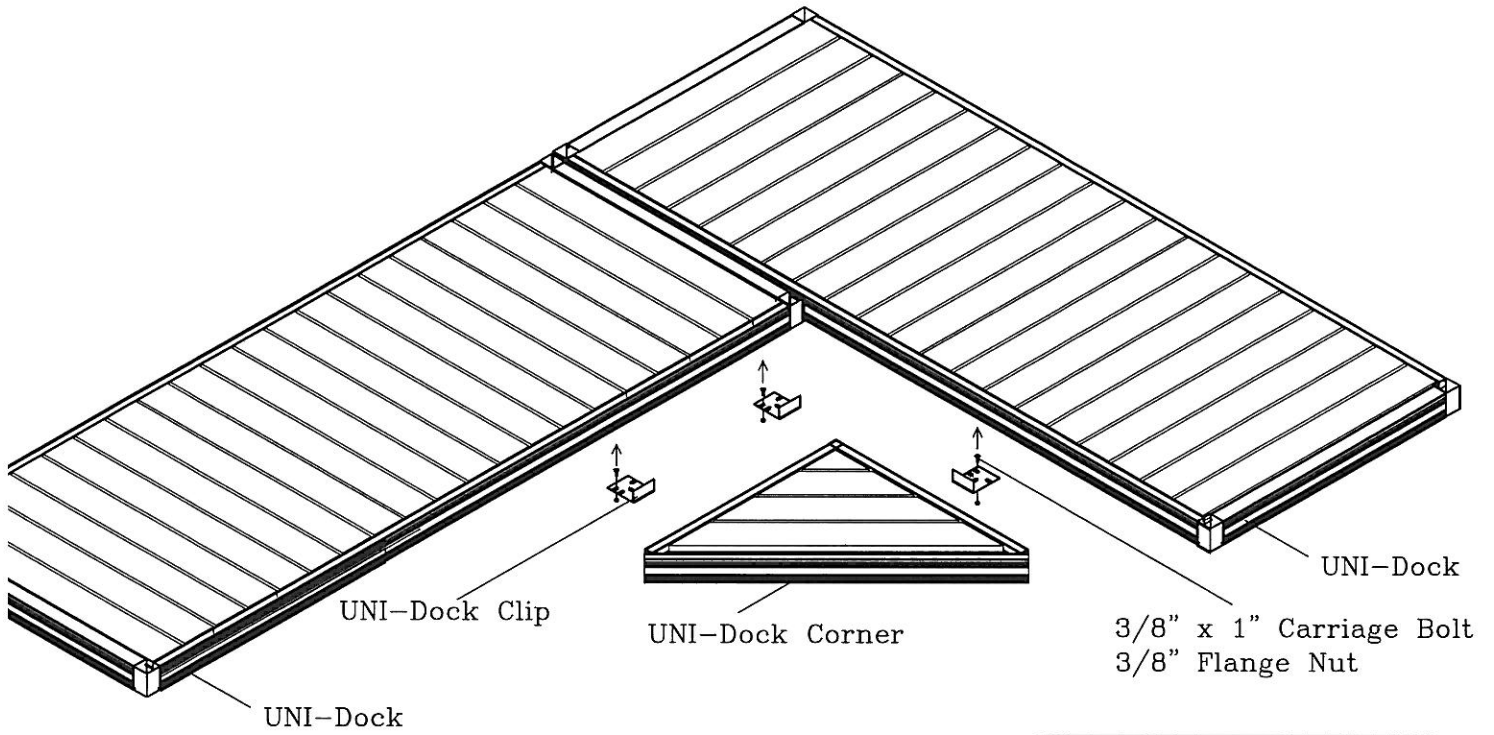


Quantity	Part Number	Description
1		6" x 9" Bolt Bag
2	CS380100B	Hardware - 3/8" x 1" Carriage Bolt
2	S380FLNUT	Hardware - 3/8" Flange Nut
2	S120SETSW	Hardware - 1/2" x 1 1/4" Set Screw
2	S120SQNUT	Hardware - 1/2" Square Nut
1	BLUECAP14	# 14 Blue Cap
1	INSTRUCTN	Instructions W/Card
1		Shipping Wrap
1	DAAJSLPKT	Single Leg Pocket
1	DABBSLPKT	Bolt Bag

www.shoremaster.com - email: quality1@shoremaster.com
 1 ShoreMaster Drive - Industrial Park P.O. Box 358 Fergus Falls, Minnesota 56538-0358
 Phone: (218) 739-4641 WATS:1-800-328-8945 FAX: (218) 739-4008

SHOREMASTER

UNI-Dock Corner



Quantity	Part Number	Description
1	DABBUNICR	6" x 9" Bolt Bag
6	MC380100B	Hardware - 3/8" x 1" Carriage Bolt
6	M380FLNUT	Hardware - 3/8" Flange Nut
3	86400400H	UNI Clip Angle

SHOREMASTER

UNI-DOCK CONTINUOUS HINGE INSTALLATION

Step 1.

Drill four 7/16" holes in each hinge plate according to the dimensions in figure 1.

Step 2.

Use the hinge plate as a guide to mark the locations for the holes in the dock. The hinge plate should be centered in the dock end and flush with the top of the dock rail as shown in figure 2. Drill four 7/16" holes in each dock end.

Step 3.

Attach each hinge plate to a dock end with four 3/8" x 4" hex bolts, eight 3/8" washers, four 3/8" lock washers and four 3/8" nuts.

Step 4.

Align the two hinges and connect with one 8" pin, one 1/4" x 2-1/4" hex bolt, and one 1/4" lock nut, on each end.

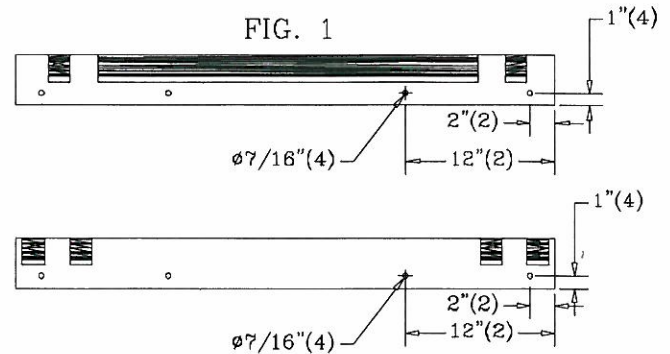
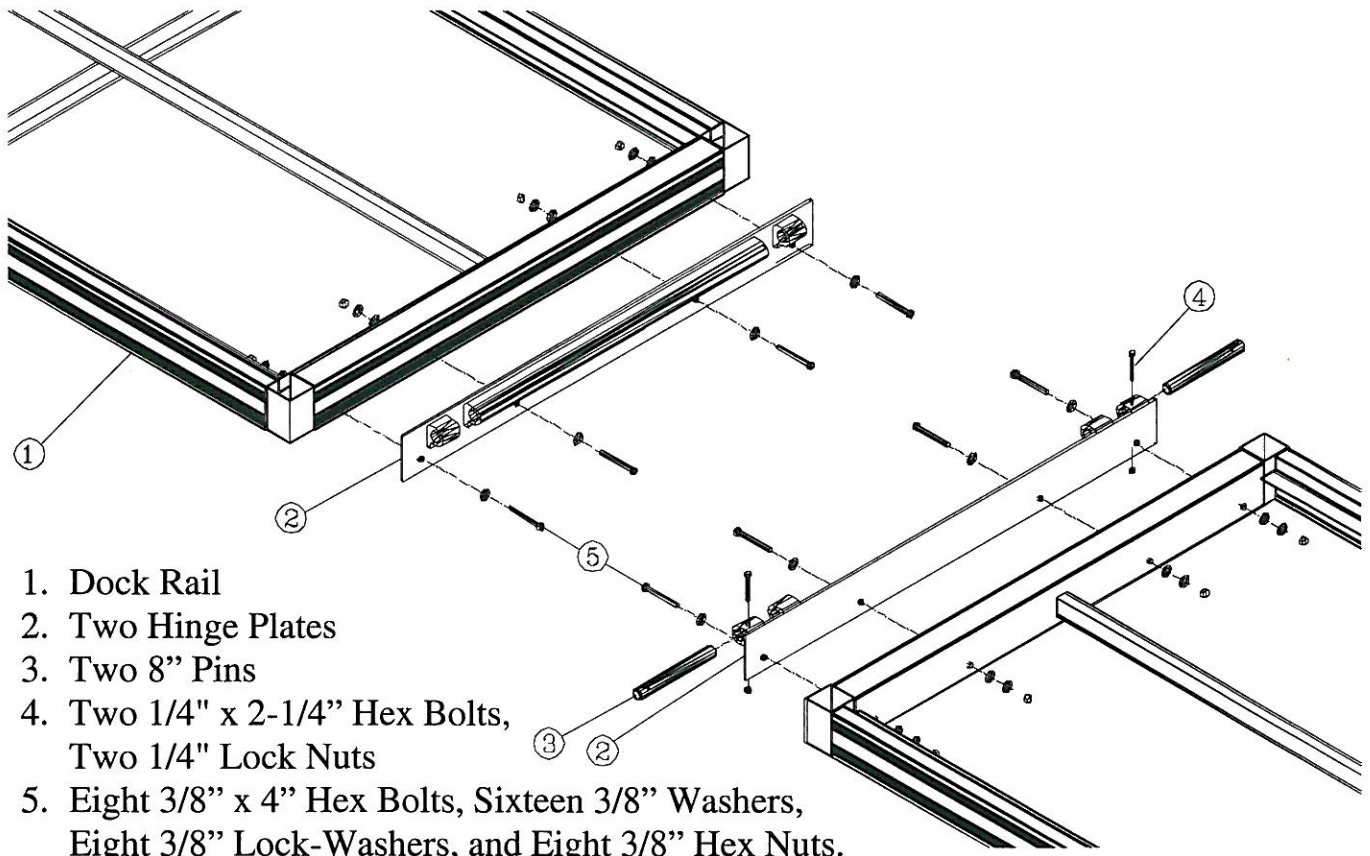
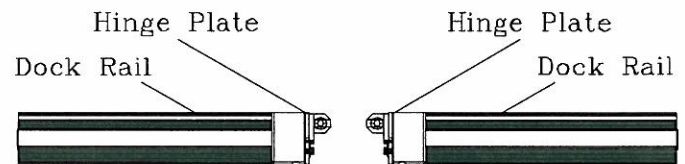


FIG. 2



1. Dock Rail
2. Two Hinge Plates
3. Two 8" Pins
4. Two 1/4" x 2-1/4" Hex Bolts,
Two 1/4" Lock Nuts
5. Eight 3/8" x 4" Hex Bolts, Sixteen 3/8" Washers,
Eight 3/8" Lock-Washers, and Eight 3/8" Hex Nuts.

www.shoremaster.com – email: quality1@shoremaster.com

1 ShoreMaster Drive - Industrial Park • P.O. Box 358 • Fergus Falls, Minnesota 56538-0358

Phone: (218) 739-4641 • WATS: 1-800-328-8945 • FAX: (218) 739-4008

SHOREMASTER'S LIMITED WARRANTY

ShoreMaster, Inc. warrants its products shall be free from manufacturing defects as follows:

Product Description	Warranty Period
ShoreMaster brand boatlifts and docks	15 year warranty on aluminum structure and welds
Private label boatlifts	10 year warranty on aluminum structure and welds
Canopy vinyls	5 year warranty on vinyl, prorated
ShorePort and Floating Uni-dock	8 year warranty on polyethylene structure and expanded polystyrene foam
Swim raft	3 year warranty on polyethylene structure and expanded polystyrene foam
Hydro-Bike	1 Year warranty on all components
Floats	10 year warranty on polyethylene structure and expanded polystyrene foam
Items not listed above	2 year warranty, excluding components and options that carry their own manufacturer's warranty, wherein that warranty shall apply

ShoreMaster's warranty is limited to products purchased new by the original owner and is not transferable. **SHOREMASTER WILL AT ITS OPTION REPAIR OR REPLACE, WITHOUT CHARGE, OR ALLOW CREDIT FOR ANY SUCH GOODS FOUND ON EXAMINATION BY SHOREMASTER TO BE DEFECTIVE UNDER NORMAL USE AND SERVICE. THE BUYER'S REMEDIES WITH RESPECT TO DEFECTIVE GOODS SHALL BE EXCLUSIVELY LIMITED AS ABOVE PROVIDED AND IN NO EVENT SHALL THE SELLER BE LIABLE FOR INCIDENTAL OR CONSEQUENTIAL DAMAGES OF ANY NATURE. ALL OTHER WARRANTIES, INCLUDING BUT NOT LIMITED TO WARRANTIES OF MERCHANTABILITY AND FITNESS FOR A PARTICULAR PURPOSE ARE EXPRESSLY DISCLAIMED.** ShoreMaster's warranty does not cover damage caused by circumstances outside the reasonable control of ShoreMaster, including but not limited to, improper use, installation, overloading, accident, neglect or harmful alterations or repairs made by others, damage by snow or ice, electrolysis, severe weather conditions and Acts of God, natural expansion or contraction of deck surfaces caused by weather conditions.

ShoreMaster must receive written notice of a discovered defect covered under warranty prior to the expiration of the warranty. The warranty period shall be for the time specified, beginning from the date of purchase as shown on customer's invoice. Warranty on canopy frame requires proof of purchase of a ShoreMaster manufactured vinyl.